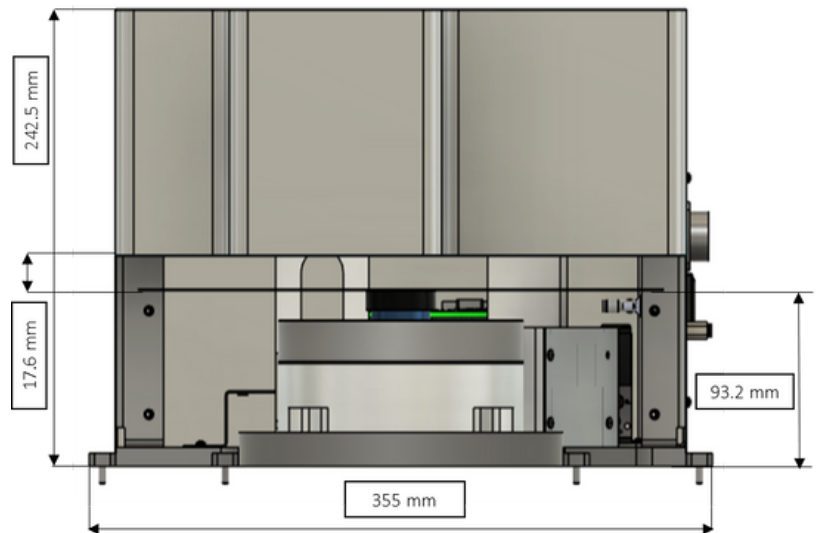


Introducing our Pre-Aligner solution for semiconductor wafer notch orientation and center detection. This system offers precise wafer notch/flat orientation, accurate wafer centering, and wafer contour detection (warpage).

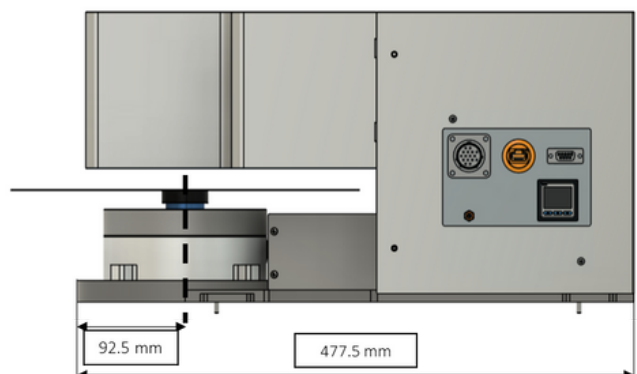
- Compatible with class 1 cleanliness standards
- Built-in controller and harnessing for easy installation, no external controller needed
- Suitable for 200mm to 300mm diameter wafers
- Meets all semiconductor safety standards

Our Pre-Aligner ensures reliable performance, making it an essential tool for semiconductor manufacturing.



KEY FEATURES:

- Compact design equipped with a high-precision direct drive motor.
- Achieves wafer notch orientation (<math><0.02\text{Deg}</math>) and wafer centering (<math><+/-0.025\text{mm}</math>) in under 4 seconds.
- Compatible with transparent, semi-transparent, and opaque wafers.
- Utilizes laser beam sensor for wafer warpage/contour scanning.
- Offers flexibility as a stand-alone system or integration with existing front-end semiconductor modules.
- Supports wafer sizes ranging from 200mm to 300mm.



PRICING INFORMATION

Cost for 1 to 10 qty: \$8,674

Cost for 11 to 25 qty: \$7,597

For larger quantities or specific pricing inquiries, please contact us!

CONTACT

info@raadsys.com | +1-408-718-7697
www.raadsys.com

OFFICES

3988 Bouquet Park Lane,
San Jose, CA 95135

920 George Street
Santa Clara CA 95054

2M-132, 2nd Main, Kasturinagar,
Bangalore 560043